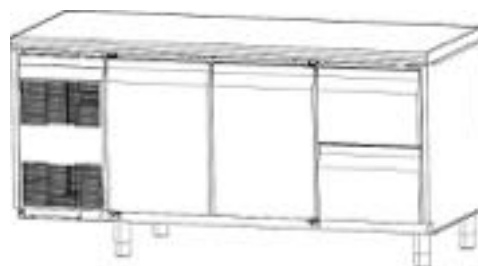


# Ecostore Counters



---

EN Installation manual \*

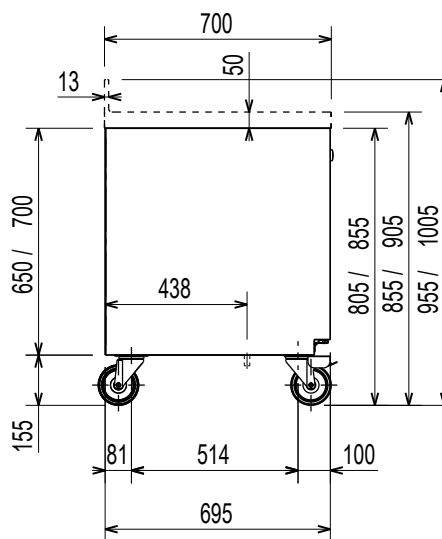
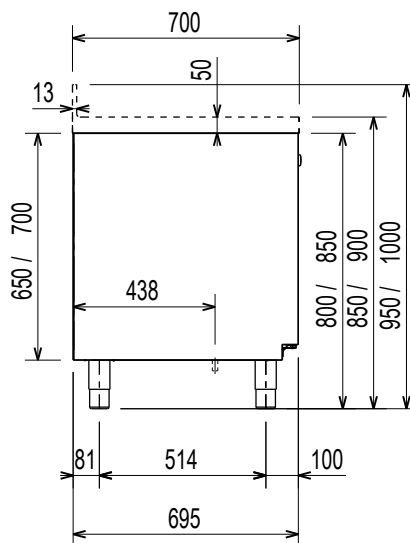
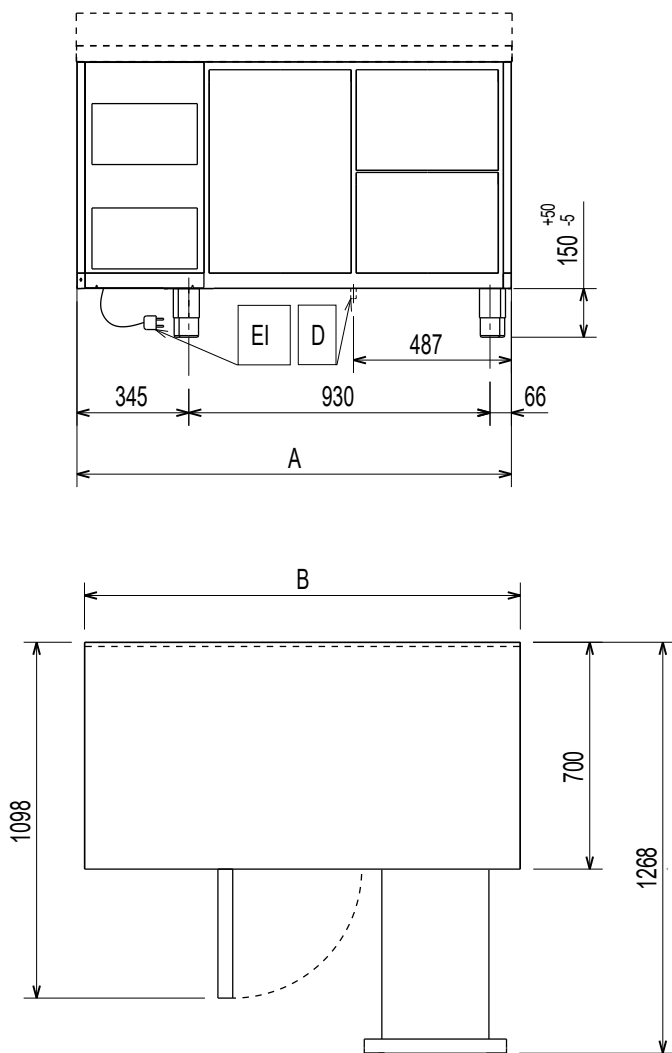
\*Original instructions



595R36702- 2019.07

Installation diagram  
2 — 3 C freezer

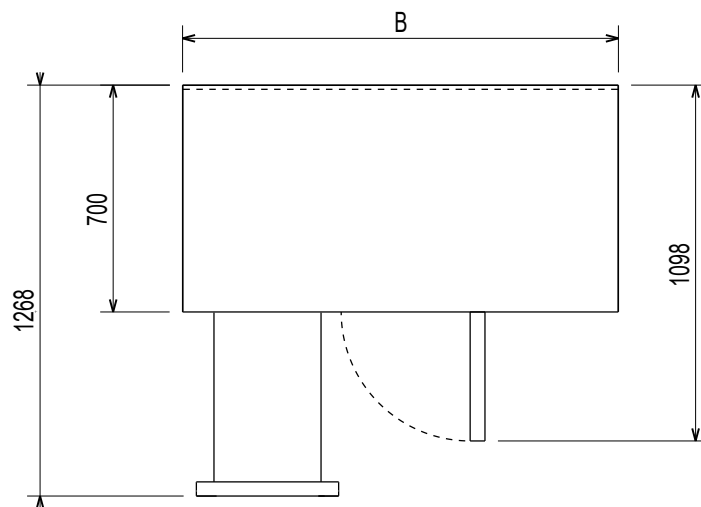
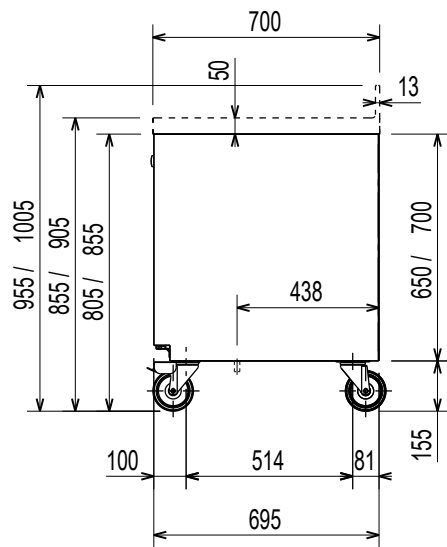
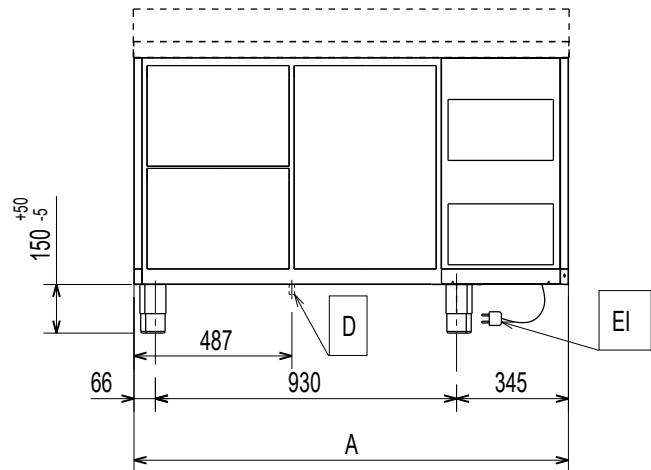
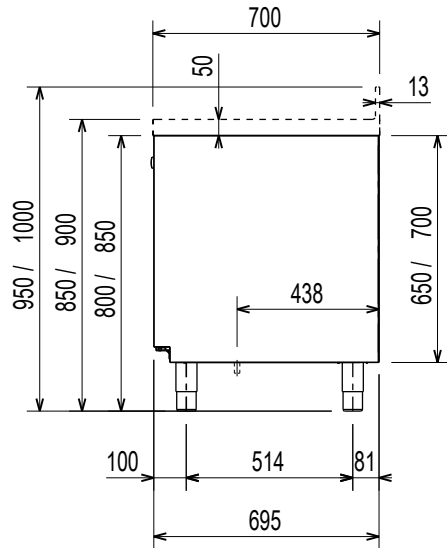
cooling unit left



	A	B
2C	1341	1345
3C	1791	1795

**Installation diagram**  
**2 — 3 C freezer**

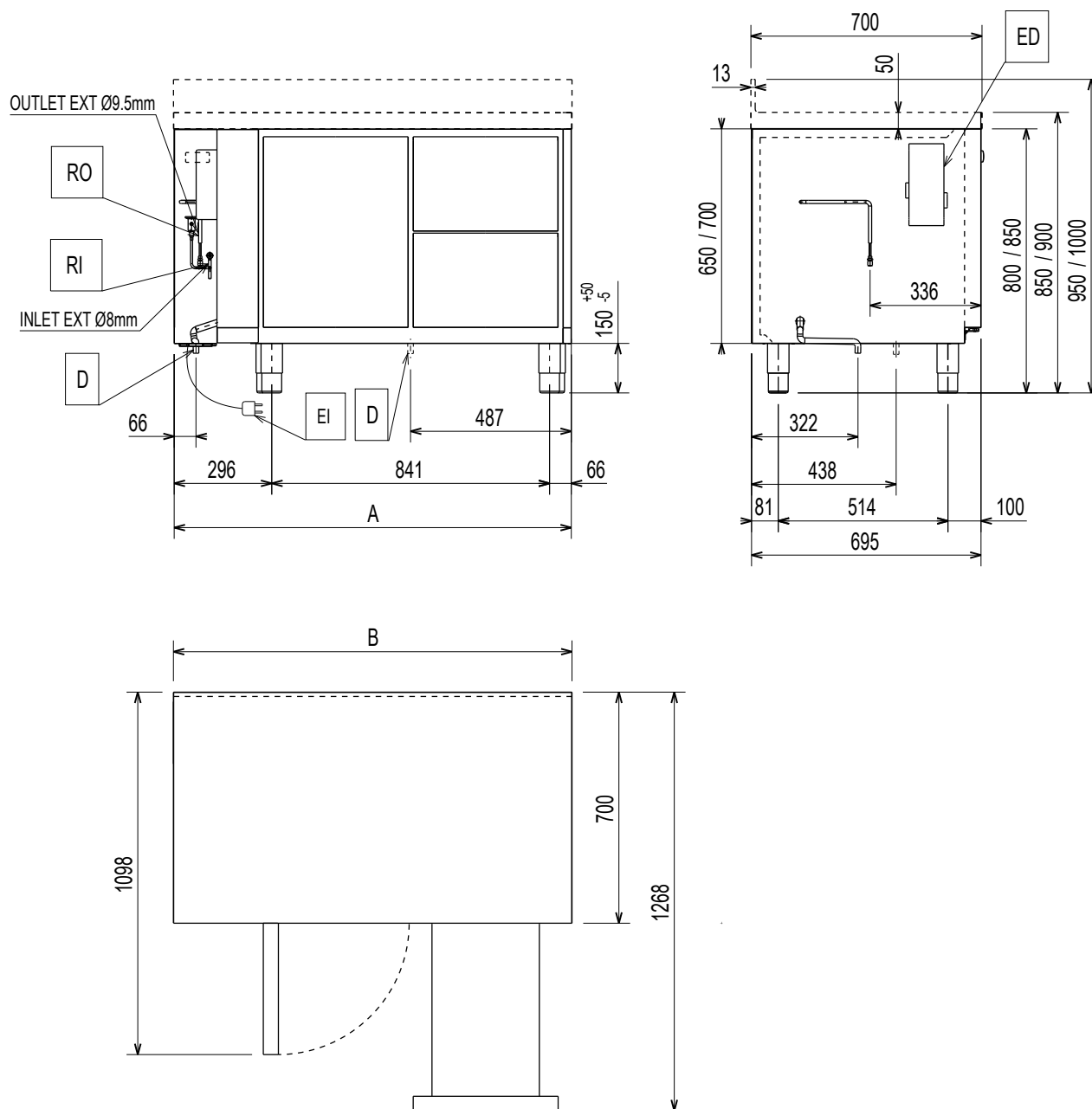
**cooling unit right**



	A	B
2C	1341	1345
3C	1791	1795

Installation diagram

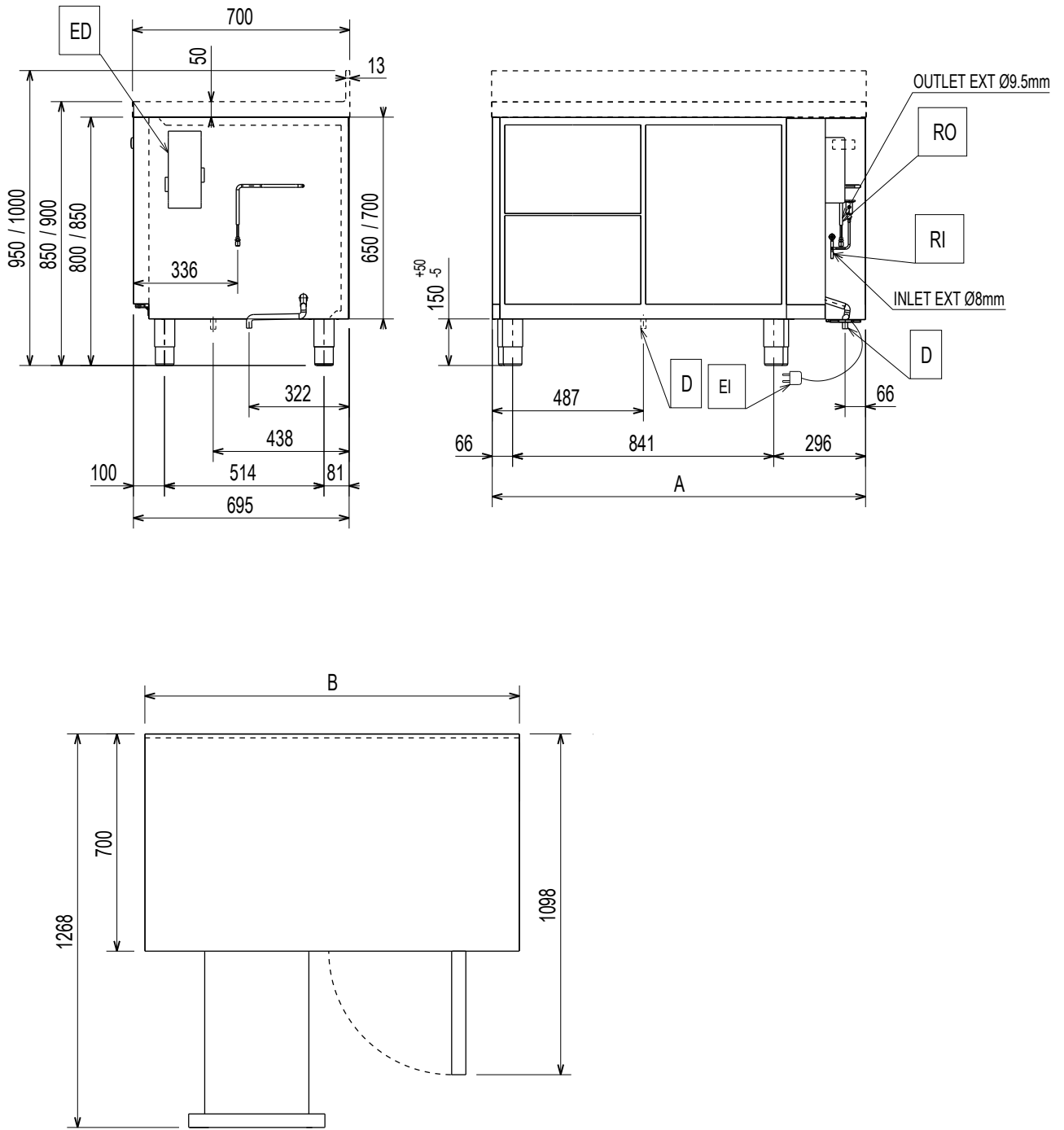
2 — 3 C remote freezer — left



	A	B
2C	1203	1207
3C	1657	1661

Installation diagram

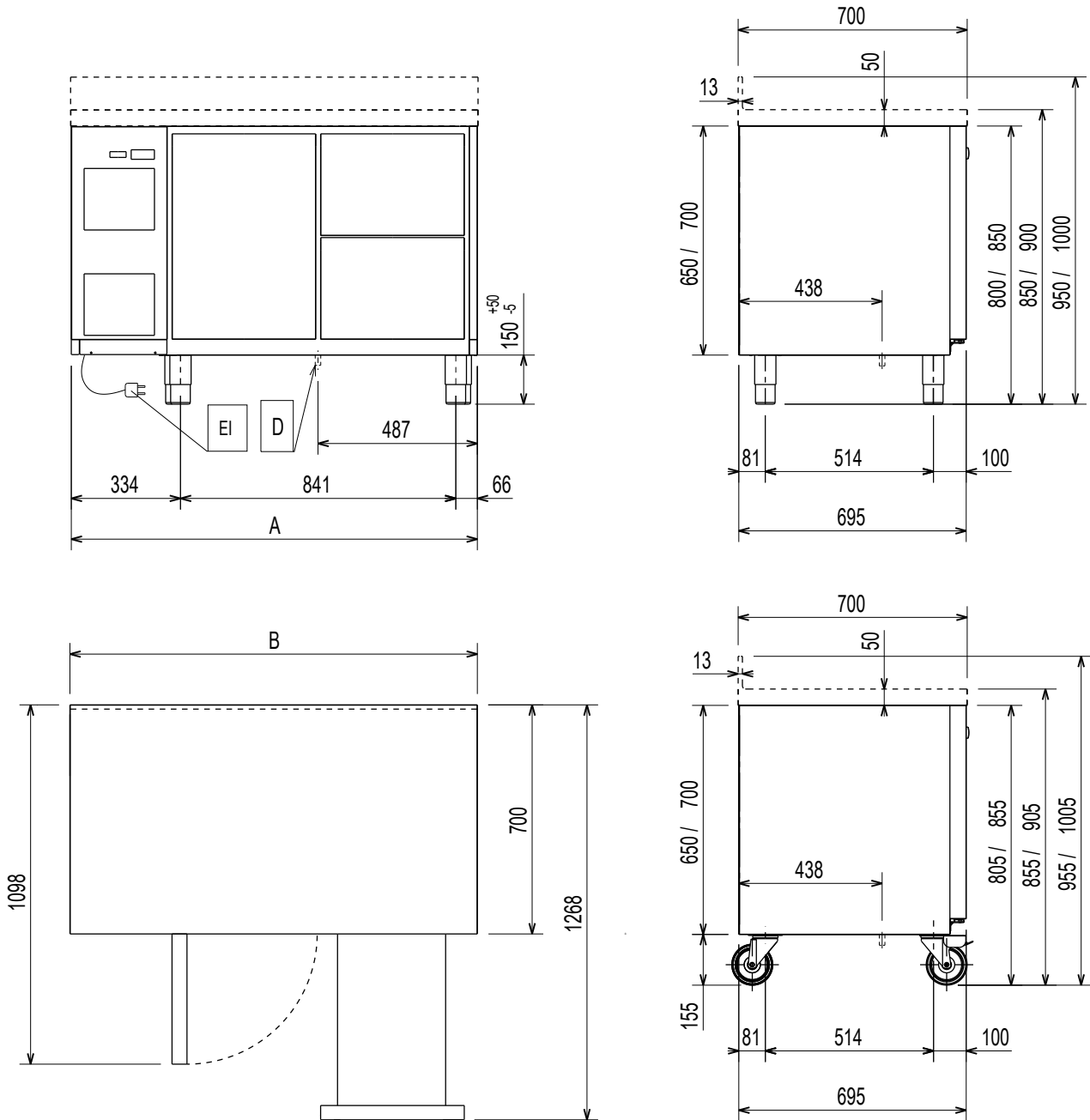
2 — 3 C remote freezer — right



	A	B
2C	1203	1207
3C	1657	1661

**Installation diagram**  
**2 — 3 — 4 C refrigerated**

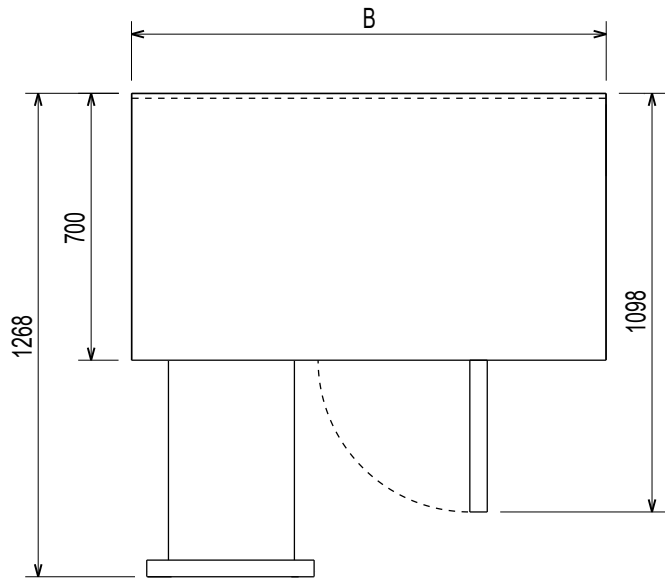
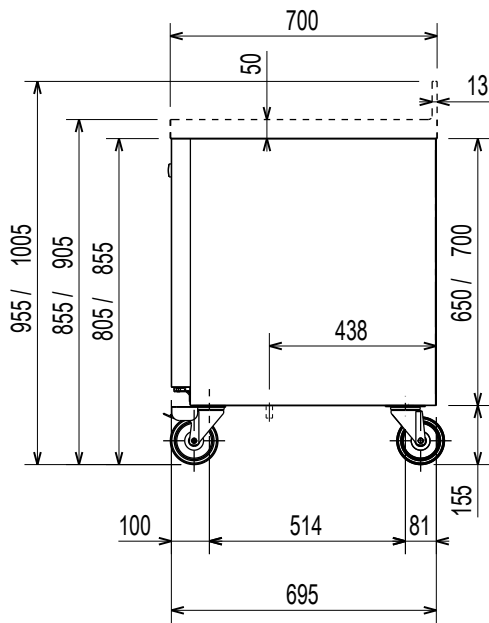
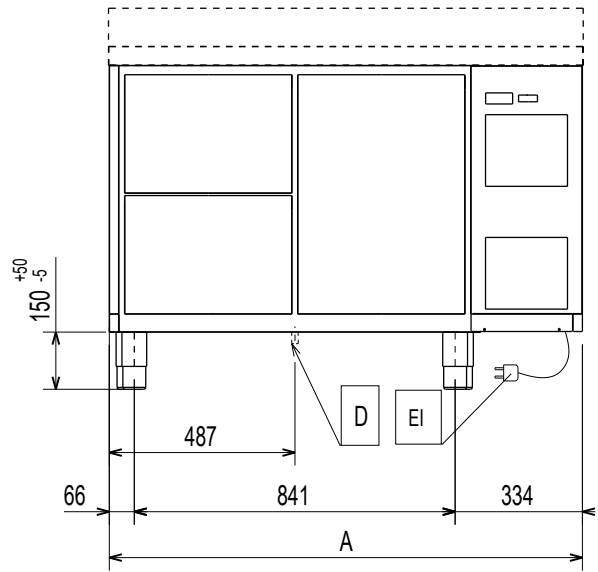
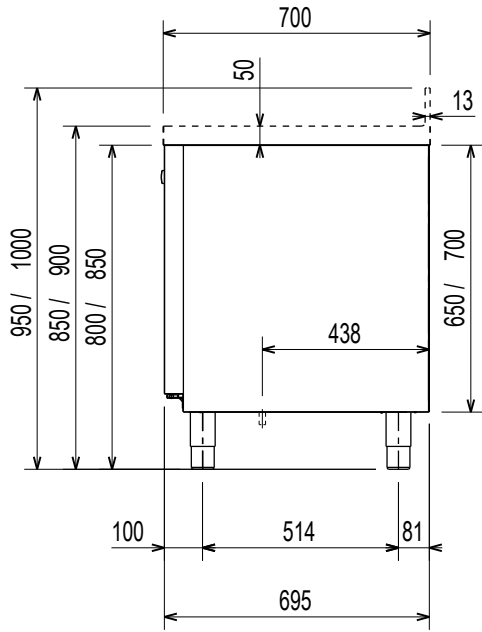
**cooling unit left**



	A	B
2C	1241	1245
3C	1695	1699
4C	2149	2153

**Installation diagram**  
**2 — 3 — 4 C refrigerated**

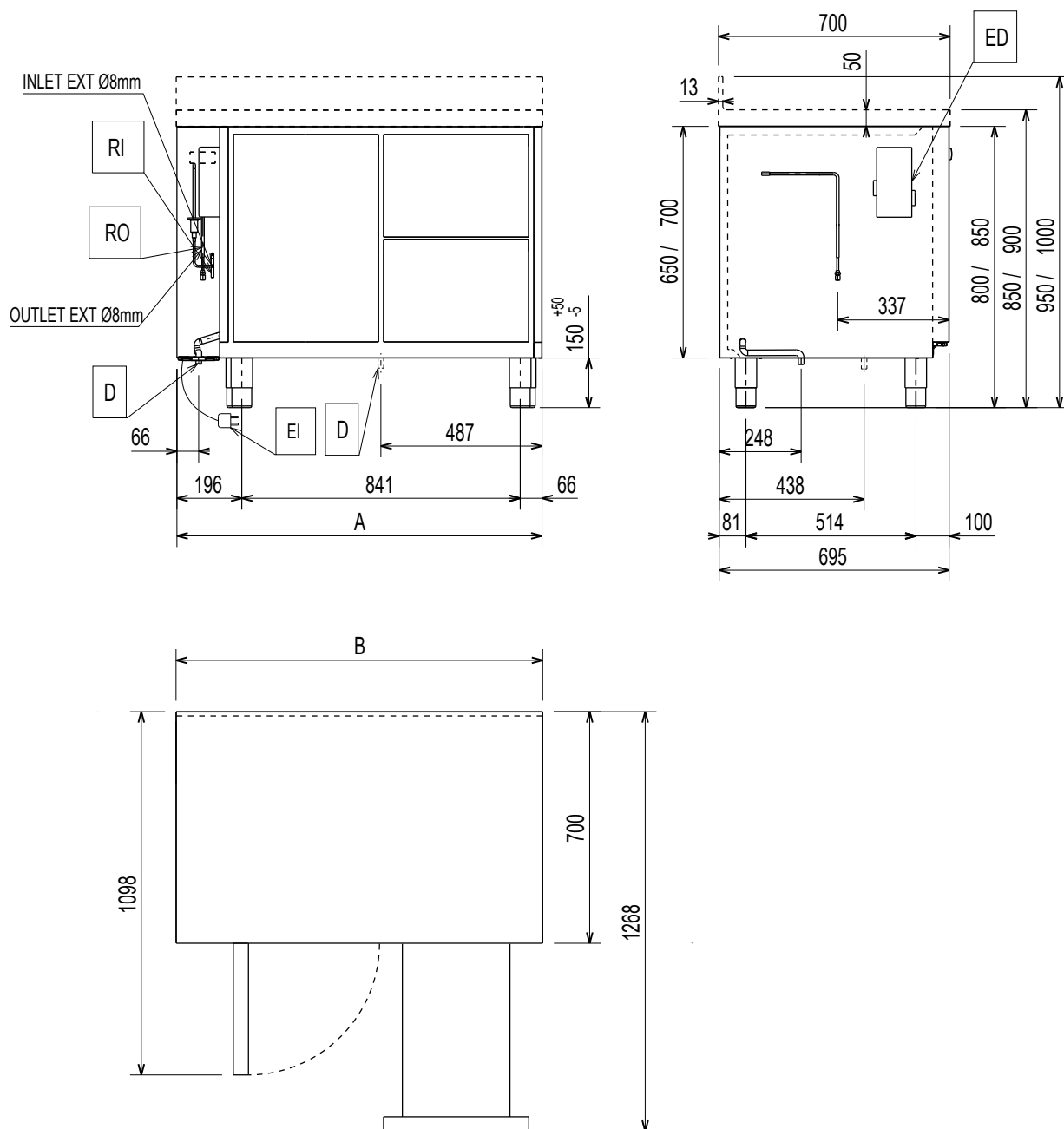
**cooling unit right**



	A	B
2C	1241	1245
3C	1695	1699
4C	2149	2153

Installation diagram

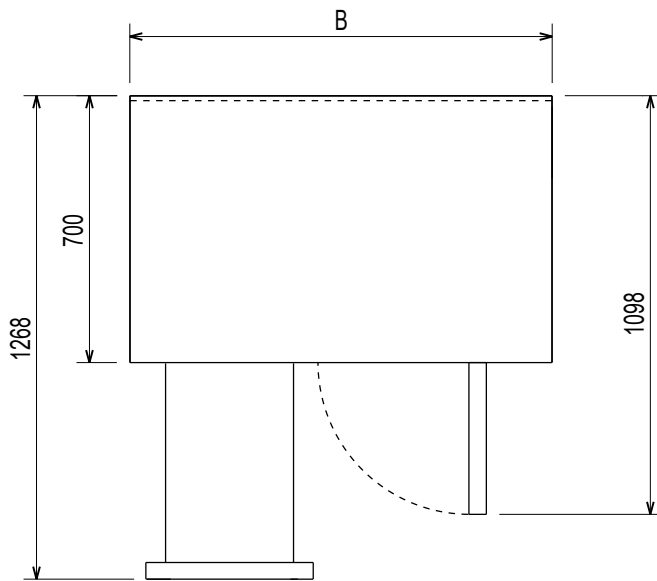
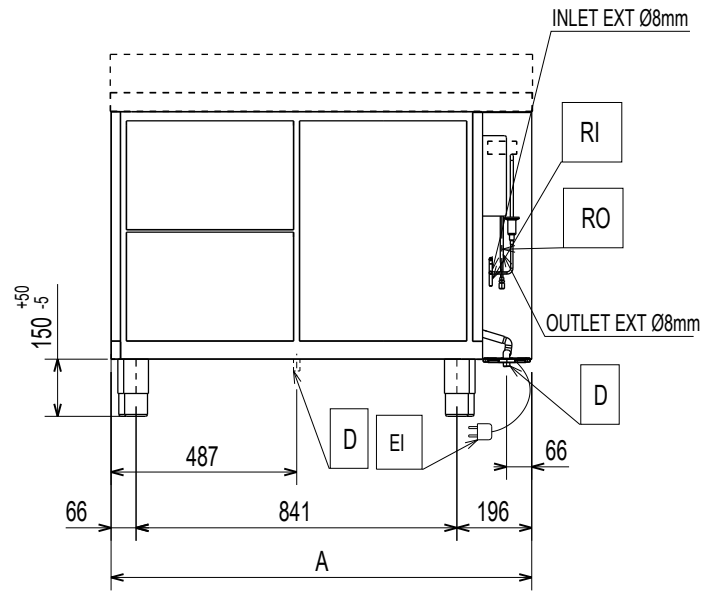
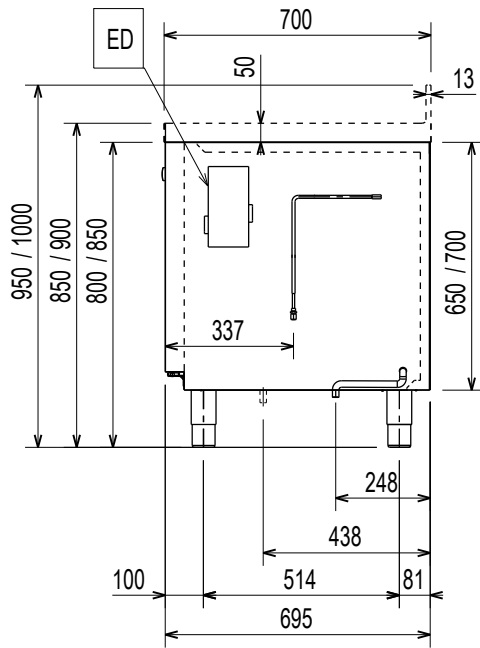
2 — 3 — 4 C remote refrigerated — left



	A	B
2C	1103	1108
3C	1557	1562
4C	2011	2016

Installation diagram

2 — 3 — 4 C remote refrigerated — right



	A	B
2C	1103	1108
3C	1557	1562
4C	2011	2016

EI = Power cable length  
ED = Electrical connections  
D = Compartment drain hole

RI = Refrigerant inlet (liquid)  
RO = Refrigerant outlet (gas)

## Foreword



The installation, use and maintenance manual (hereinafter Manual) provides the user with information necessary for correct and safe use of the machine (or “appliance”).

The following must not be considered a long and exacting list of warnings, but rather a set of instructions suitable for improving machine performance in every respect and, above all, preventing injury to persons and animals and damage to property due to improper operating procedures.

All persons involved in machine transport, installation, commissioning, use and maintenance, repair and disassembly must consult and carefully read this manual before carrying out the various operations, in order to avoid wrong and improper actions that could compromise the machine's integrity or endanger people. Make sure to periodically inform the user regarding the safety regulations. It is also important to instruct and update personnel authorised to operate on the machine, regarding its use and maintenance.

The manual must be available to operators and carefully kept in the place where the machine is used, so that it is always at hand for consultation in case of doubts or whenever required.

If, after reading this manual, there are still doubts regarding machine use, do not hesitate to contact the Manufacturer or the authorised Service Centre to receive prompt and precise assistance for better operation and maximum efficiency of the machine. During all stages of machine use, always respect the current regulations on safety, work hygiene and environmental protection. It is the user's responsibility to make sure the machine is started and operated only in optimum conditions of safety for people, animals and property.



### IMPORTANT

- The manufacturer declines any liability for operations carried out on the appliance without respecting the instructions given in this manual.
- The manufacturer reserves the right to modify the appliances presented in this publication without notice.
- No part of this manual may be reproduced.
- This manual is available in digital format by:
  - contacting the dealer or reference customer care;
  - downloading the latest and up to date manual on the web site;
- The manual must always be kept in an easily accessed place near the machine. Machine operators and maintenance personnel must be able to easily find and consult it at any time.

# Contents

A	WARNING AND SAFETY INFORMATION	13
A.1	General information	13
A.2	Personal protection equipment	14
A.3	General safety	14
A.4	Technical data	14
A.5	Transport, handling and storage	15
A.6	Installation and assembly	15
A.7	Machine disposal	17
B	APPLIANCE AND MANUFACTURER'S IDENTIFICATION DATA	18
C	GENERAL INFORMATION	18
C.1	Introduction	18
C.2	Additional indications	18
C.3	Intended use and restrictions	18
C.4	Testing and inspection	19
C.5	Copyright	19
C.6	Keeping the manual	19
C.7	Recipients of the manual	19
C.8	Definitions	19
C.9	Responsibility	19
D	TRANSPORT, HANDLING AND STORAGE	19
D.1	Handling	19
D.1.1	Procedures for handling operations	19
D.1.2	Placing the load	19
D.2	Unpacking	20
D.2.1	Disposal of packing	20
D.3	Storage	20
E	TECHNICAL DATA	20
E.1	Materials and fluids used	20
E.2	Main technical characteristics	20
F	INSTALLATION AND ASSEMBLY	21
F.1	Introduction	21
F.2	Customer's responsibilities	21
F.3	Positioning	21
F.4	Fitting anti-tipping cables	21
G	MACHINE DISPOSAL	22
G.1	Waste storage	22
G.2	Procedure regarding appliance dismantling macro operations	22

---

## A WARNING AND SAFETY INFORMATION

---

### A.1 General information

To ensure safe use of the machine and a proper understanding of the manual it is necessary to be familiar with the terms and typographical conventions used in the documentation. The following symbols are used in the manual to indicate and identify the various types of hazards:



#### **WARNING**

Danger for the health and safety of operators.



#### **WARNING**

Danger of electrocution - dangerous voltage.



#### **CAUTION**

Risk of damage to the machine or the product.



#### **WARNING**

Risk of fire / Flammable materials



#### **IMPORTANT**

Important instructions or information on the product



Read the instructions before using the appliance








Clarifications and explanations

- Only specialised personnel are authorised to operate on the machine.
- This appliance can be used by children aged from 8 years and above and persons with reduced physical, sensory or mental capabilities or lack of experience and knowledge if they have been given supervision or instruction concerning use of the appliance in a safe way and understand the hazards involved.
  - Do not let children play with the appliance.
  - Keep all packaging and detergents away from children.
  - Cleaning and user maintenance shall not be made by children without supervision.
- Do not store explosive substances, such as pressurized containers with flammable propellant, in this appliance
- Do not remove, tamper with or make the machine marking illegible.
- When scrapping the machine, the marking must be destroyed.
- Save these instructions carefully for further consultation by the various operators.

## A.2 Personal protection equipment

Summary table of the Personal Protection Equipment (PPE) to be used during the various stages of the machine's service life.

Stage	Protective garments 	Safety footwear 	Gloves 	Glasses 	Safety helmet 
Transport	—	●	○	—	○
Handling	—	●	○	—	—
Unpacking	—	●	○	—	—
Installation	—	●	○	—	—
Normal use	●	●	● <sup>1</sup>	—	—
Adjustments	○	●	—	—	—
Routine cleaning	○	●	● <sup>1</sup>	○	—
Extraordinary cleaning	○	●	●	○	—
Maintenance	○	●	○	—	—
Dismantling	○	●	○	○	—
Scrapping	○	●	○	○	—
<b>Key:</b>					
●	<b>PPE REQUIRED</b>				
○	<b>PPE AVAILABLE OR TO BE USED IF NECESSARY</b>				
—	<b>PPE NOT REQUIRED</b>				

1. During Normal use, gloves protect hands from the cold tray when being removed from the appliance. Note: The gloves to be worn during cleaning are the type suitable for contact with the cooling fins (metal plates). Failure to use the personal protection equipment by operators, specialised personnel or users can involve exposure to chemical risk and possible damage to health (depending on the model).

## A.3 General safety

- The machines are provided with electric and/or mechanical safety devices for protecting workers and the machine itself.
- Never operate the machine, removing, modifying or tampering with the guards, protection or safety devices.
- Do not make any modifications to the parts supplied with the appliance.
- Several illustrations in the manual show the machine, or parts of it, without guards or with guards removed. This is purely for explanatory purposes. Do not use the machine without the guards or with the protection devices deactivated.
- Do not remove, tamper with or make illegible the safety, danger and instruction signs and labels on the machine.

## A.4 Technical data

### Materials and fluids used

- R290 gas is potentially flammable and explosive! Take every possible precaution to prevent any risk linked to the nature of this gas during any routine and/or extraordinary operation carried out on the appliance.

## Performance

Equivalent sound pressure level Leq dB(A)	<70
---	-----

1. The noise emission values have been obtained according to EN ISO 11204. The value could increase depending on the workplace where measured.

## Climatic Class

The climatic class given on the data plate refers to the following values:

- **Models with door**

Climatic Class 5

- 43°C (IEC/EN 60335-2-89)
- 40°C room with 40% relative humidity (EN 16825).

- **Models with drawers**

Climatic Class 5

- 43°C (IEC/EN 60335-2-89)

Climatic Class 4

- 30°C room with 55% relative humidity (EN 16825).

## A.5 Transport, handling and storage

- Transport (i. e. transfer of the machine from one place to another) and handling (i. e. transfer inside workplaces) must occur with the use of special and adequate means.
- Due to their size, the machines cannot be stacked on top of each other during transport, handling and storage; this eliminates any risks of loads tipping over due to stacking.
- Do not stand under suspended loads during loading or unloading operations. Unauthorized personnel must not enter the work area.
- The weight of the appliance alone is not sufficient to keep it steady.
- For machine lifting and anchoring, do not use movable or weak parts such as: casings, electrical raceways, pneumatic parts, etc.
- Do not push or pull the machine to move it, as it may tip over. Use proper tool to lift the machine.
- Arrange a suitable area with flat floor for machine unloading and storage operations.
- Machine transport, handling and storage personnel must be adequately instructed and trained regarding the safely use of lifting systems and personal protection equipment suitable for the type of operation carried out.

## A.6 Installation and assembly

### Introduction

- Machine installation and assembly operations must only be carried out by specialised personnel provided with all the appropriate personal protection equipment, tools, utensils and ancillary means, with adequate enclosure of the assembly area to keep out unauthorised persons.
- The operations described must be carried out in compliance with the current safety regulations.
- Disconnect the appliance from the power supply before carrying out any installation and assembly procedure.

### Electrical connection

- Work on the electrical systems must only be carried out by a specialised personnel.

- Connection to the power supply must be carried out in compliance with the regulations and provisions in force in the country of use.
- For appliances with remote unit, the connection must be made separately for the unit and the machine.
- The information regarding the appliance power supply voltage is given on the dataplate.
- The system power supply is arranged and able to take the actual current absorption and that it is correctly executed according to the regulations in force in the country of use;
- a differential thermal-magnetic switch suitable for the absorption specified on the data plate, with contact gap enabling complete disconnection in category III overvoltage conditions and complying with the regulations in force, is installed between the power cable and the electric line. For the correct sizing of the switch or plug, refer to the absorbed current specified on the appliance data plate.
- After making the connection, with the appliance running check that the power supply does not fluctuate by  $\pm 6\%$  the rated voltage.
- With models arranged for operation with remote unit, carry out the condensing unit and solenoid valve electrical connections as shown in the wiring diagram accompanying the machine. The connection must be made with a cable of suitable section. Insert and secure the cables with the special cable clamp. Correctly connect each wire to the corresponding terminal.
- If the power cable is damaged, it must be replaced by the After-Sales Service or in any case by specialised personnel, in order prevent any risk.
- The manufacturer declines any liability for damage or injury resulting from breach of the above rules or non-compliance with the electrical safety regulations in force in the country where the machine is used.

### **Electrical connection for appliances with plug**

- To connect to the power supply, insert the power cable plug in the corresponding mains socket, first making sure:
- the socket has an efficient earth contact and the mains voltage and frequency match that given on the dataplate. In case of any doubts regarding the efficiency of the earth connection have the system checked by specialised personnel;
- the system power supply is arranged and able to take the actual current absorption and that it is correctly executed according to the regulations in force in the country of use;
- The plug must be accessible after positioning the appliance in the place of installation;
- The plug must be in a position always visible to the operator performing the intervention during maintenance operations;

### **Electrical connection for appliances with cable without plug**

- The connection point has an efficient earth contact and the mains voltage and frequency match that given on the data plate. In case of doubts regarding the efficiency of the earth wire, have the system checked by specialised personnel;
- the appliance must be permanently connected to the power supply, respecting the polarities:
  - brown/black/gray: phase
  - yellow/green: earth
  - blue: neutral;
- An H05VV-F type power cable (code 60227 IEC 53) is used for the permanent connection to the mains; in case of replacement, use a type with at least these characteristics. When replacing the cable, the earth wire must be kept longer than the live and neutral wires.

- The differential thermal-magnetic switch must be lockable in the open position in case of maintenance.
- If using a plug, it must comply with the national installation rules. The plug must also be:
  - accessible after the appliance has been positioned
  - in the place of installation;
  - in a position always visible to the operator performing the intervention during maintenance operations;

### **Machine space limits**

- Make sure to position the appliance at least 50 mm from any other machines present in the room (in fact, close proximity can create problems of condensate forming on the walls of the appliance), also taking into consideration the space needed for door opening.

### **Positioning**

- Install the appliance, taking all the safety precautions required for this type of operation, also respecting the relevant fire-prevention measures.
- For the choice of remote condensing unit refer to the unit recommended by the Manufacturer, given on the equipment technical sheet.
- In case of extraordinary size of the remote condensing unit refer to the technical sheet for the refrigerating capacity data or consult the Manufacturer's website or Local Service Center/ Agency authorized by the Manufacturer.
- Installation of the appliance and the refrigerant fluid condensing unit must only be carried out by the manufacturer's service personnel or by specialised personnel.



### **WARNING**

- Keep the ventilation openings in the appliance casing free of any obstructions.

### **Fitting anti-tipping cables on the appliances with drawers and feet**

- When installing the following appliances:
  - 3 compartments, refrigerated/freezer, with 9x1/3 drawers, without top;
  - 4 compartments, refrigerated, with 8x1/2 drawers, with/without top;
  - 4 compartments, refrigerated, with 1 door and 9x1/3 drawers, without top;
  - 4 compartments, refrigerated, with 1 door and 6x1/2 drawers, without top;
 make sure to fix the anti-tipping cables to it.
- To fit proceed as shown in the paragraph F.4 *Fitting anti-tipping cables*

### **A.7 Machine disposal**

- Dismantling operations must be carried out by specialised personnel.
- Work on the electrical equipment must only be carried out by specialised personnel, with the power supply disconnected.
- Dismantling operations of appliances which use flammable insulation blowing gases must be carried out by specialised personnel.
- Dismantling operations of appliances which use R-744 (with a refrigeration system under high pressure) must be carried out by specialised personnel.
- Make the appliance unusable by removing the power cable and any compartment closing devices, to prevent the possibility of someone becoming trapped inside.

## B APPLIANCE AND MANUFACTURER'S IDENTIFICATION DATA

An example of the marking or data plate on the machine is given below:

F.Mod. xxxxxxxxxx PNC 9V7X xxxxxxxx W Tot. xxx kW	Comm. Model xxxxxxxx Ser. Nr. xxxxxxxx Volt xxxV xxx Hz	Type ref. H7NBT3BHC Cyclopentane Total Current xx A	2017
Potenza Sbrinatorio / Defrost Power Resistenza Evaporazione / Evaporation Heater El. Illuminazione / Lighting	xxx kW x kW x W	Classe / Class X GWP xxxxx CO2-eq xxxX Refrigerante / Refrigerant xxxxx Cap. x	i xx Kg
IP21 Electrolux Professional SPA - Viale Treviso, 15 - 33170 Pordenone (Italy)		CE	

The data plate gives the product identification and technical data. The meaning of the various information given on it is listed below:

F.Mod.	factory description of product
Comm.Model	commercial description
H7NBT3BHC(*)	certification group (Type)
PNC	production number code
Ser.No.	serial number
V	power supply voltage
Hz	power supply frequency
kW	max. power input
Cyclopentane	expanding gas used in insulation
Total Current	current absorbed
current absorbed	defrost power
Evaporation Heater El.	heating element power
Lighting	internal light
Class	climatic
GWP	global warming potential
CO2 eq	quantity of greenhouse gases
Refrigerant	type of refrigerant gas
Cap.	nominal capacity
IP21	dust and water protection rating
CE	CE marking
Electrolux Professional SpA Viale Treviso 15 33170 Pordenone Italy	manufacturer

### \* Description of certification group (Type)

H	"horizontal counters" range
7	Body Height (*) H700 H650

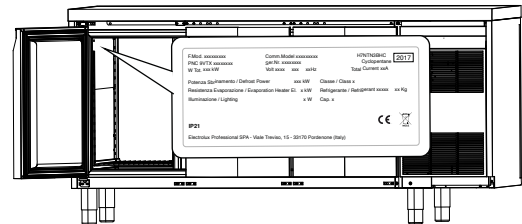
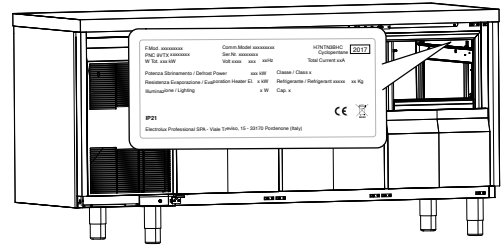
### \* Description of certification group (Type) (cont'd.)

N	Evaporator type (*) N= normal (finned) evaporator F= foamed evaporator
BT	Temperature range (*) TN= refrigerated BT= freezer
3	Capacity (*) 2 - 3 - 4 compartments
B	Refrigeration unit (*) B= built-in condensing unit R= remote condensing unit
HC	Refrigerant type R290
.....	Refrigerant type (*) R134a R404a

(\*) depending on the model



**NOTE!**  
The data plate is located inside the appliance.



**NOTE!**  
The data plate refers to original manufactured configuration.



**NOTE!**  
Refer to the data given on the machine's data plate marking for relations with the Manufacturer (e.g. when ordering spare parts, etc.).

## C GENERAL INFORMATION



### WARNING

Refer to "Warning and Safety Information".

#### C.1 Introduction

Given below is some information regarding the intended use of this appliance, its testing, and a description of the symbols used (that identifies the type of warning), the definitions of terms used in the manual and useful information for the appliance user.

#### C.2 Additional indications

The drawings and diagrams given in the manual are not in scale. They supplement the written information with an outline, but are not intended to be a detailed representation of the machine supplied.

The numerical values given on the machine installation diagrams refer to measurements in millimeters and/or inches.

#### C.3 Intended use and restrictions

Our appliances are designed and optimised in order to obtain high performance and efficiency. This appliance is designed for the refrigeration and preservation of foods.

Any other use is deemed improper.



#### CAUTION

The machine is not suitable for installation outdoors and/or in places exposed to atmospheric agents (rain, direct sunlight, etc.).



**NOTE!**  
The manufacturer declines any liability for use of the product.

## C.4 Testing and inspection

Our appliances have been designed and optimized, with laboratory testing, in order to obtain high performance and efficiency.

The product is shipped ready for use.

Passing of the tests (visual inspection - electrical test - functional test) is guaranteed and certified by the specific enclosures.

## C.5 Copyright

This manual is intended solely for consultation by the operator and can only be given to third parties with the permission of Electrolux Professional SpA.

## C.6 Keeping the manual

The manual must be carefully kept for the entire life of the machine, until scrapping. The manual must stay with the machine in case of transfer, sale, hire, granting of use or leasing.

## C.7 Recipients of the manual

This manual is intended for:

- the carrier and handling personnel;
- installation and commissioning personnel;
- the employer of machine users and the workplace manager;
- operators for normal machine use;
- specialised personnel - Customer Care service (see service manual).

## C.8 Definitions

Listed below are the definitions of the main terms used in the manual. It is advisable to read them carefully before use.

Operator	machine installation, adjustment, use, maintenance, cleaning, repair and transport personnel.
Manufacturer	Electrolux Professional SpA or any other service centre authorised by Electrolux Professional SpA.
Operator for normal machine use	an operator who has been informed and trained regarding the tasks and hazards involved in normal machine use.
Customer or specialised personnel	an operator instructed/trained by the Manufacturer and who, based on his professional and specific training, experience and knowledge of the accident-prevention regulations, is able to appraise the operations to be carried out on the machine and recognise and prevent any risks. His professionalism covers the mechanical, electrotechnical and electronics fields etc.
Danger	source of possible injury or harm to health.

Hazardous situation	any situation where an operator is exposed to one or more hazards.
Risk	a combination of probabilities and risks of injury or harm to health in a hazardous situation.
Protection devices	safety measures consisting of the use of specific technical means (guards and safety devices) for protecting operators against risks.
Guard	an element of a machine used in a specific way to provide protection by means of a physical barrier.
Safety device	a device (other than a guard) that eliminates or reduces the risk; it can be used alone or in combination with a guard.
Customer	the person who purchased the machine and/or who manages and uses it (e.g. company, entrepreneur, firm).
Electrocution	an accidental discharge of electric current on a human body.

## C.9 Responsibility

**The Manufacturer declines any liability for damage and malfunctioning caused by:**

- non-compliance with the instructions contained in this manual;
- repairs not carried out in a workmanlike fashion, and replacements with parts different from those specified in the spare parts catalogue (the fitting and use of non-original spare parts and accessories can negatively affect machine operation and invalidates the original manufacturer warranty);
- operations carried out by non-specialised personnel;
- unauthorized modifications or operations;
- missing, lack or inadequate maintenance;
- improper machine use;
- unforeseeable extraordinary events;
- use of the machine by uninformed and / or untrained personnel;
- non-application of the current provisions in the country of use, concerning safety, hygiene and health in the workplace.

The Manufacturer declines any liability for damage caused by arbitrary modifications and conversions carried out by the user or the Customer.

The employer, workplace manager or service technician are responsible for identifying and choosing adequate and suitable personal protection equipment to be worn by operators, in compliance with regulations in force in the country of use.

The Manufacturer declines any liability for inaccuracies contained in the manual, if due to printing or translation errors.

Any supplements to the installation, use and maintenance manual the Customer receives from the Manufacturer will form an integral part of the manual and therefore must be kept together with it.

## D TRANSPORT, HANDLING AND STORAGE



### WARNING

Refer to “*Warning and Safety Information*”.

### D.1 Handling



#### CAUTION

The appliances must be handled in the upright position. If the appliance is handled in a horizontal position, make sure to wait a few hours before making it operational.

#### D.1.1 Procedures for handling operations

**Before lifting:**

- send all operators to a safe position and prevent persons from entering the handling area;
- make sure the load is stable;
- make sure no material can fall during lifting. Manoeuvre vertically in order to avoid impacts;
- handle the machine, keeping it at minimum height from the ground.

#### D.1.2 Placing the load

Remove the appliance from the wooden pallet, move it to one side and slide it onto the floor.

## D.2 Unpacking



### IMPORTANT

Immediately check for any damage caused during transport. Inspect the packaging before and after unloading.

Remove the packaging. Take care when unpacking and handling of the appliance to not cause any shocks on itself.



### NOTE!

- The forwarder is responsible for the goods during transport and delivery.
- Make a complaint to the forwarder in case of visible or hidden damage.
- Specify any damage or shortages on the dispatch note.
- The driver must sign the dispatch note: the forwarder can reject the claim if the dispatch note is not signed (the forwarder can provide the necessary form).

Unpack the machine carrying out the following operations:

- cut the straps and remove the protective film, taking care not to scratch the surface if scissors or blades are used;
- remove the cardboard top, the polystyrene corners and the vertical protection pieces;
- for appliances with stainless steel cabinet, remove the protective film very slowly without tearing it, to avoid leaving glue stuck to the surface;
- should this happen, remove the traces of glue with a non-corrosive solvent, rinsing it off and drying thoroughly;
- it is advisable to go over all the stainless steel surfaces with a rag soaked in paraffin oil in order to create a protective film.

### D.2.1 Disposal of packing

The packing must be disposed of in compliance with the current regulations in the country where the appliance is used. All the packing materials are environmentally friendly.

They can be safely kept, recycled or burned in an appropriate waste incineration plant. Recyclable plastic parts are marked as follows:

 <b>PE</b>	<b>Polyethylene</b> <ul style="list-style-type: none"> <li>• Outer wrapping</li> <li>• Instructions bag</li> </ul>
 <b>PP</b>	<b>Polypropylene</b> <ul style="list-style-type: none"> <li>• Straps</li> </ul>
 <b>PS</b>	<b>Polystyrene foam</b> <ul style="list-style-type: none"> <li>• Corner protectors</li> </ul>

The parts in wood and cardboard can be disposed of, respecting the current regulations in the country where the machine is used.

## D.3 Storage

The machine and/or its parts must be stored and protected from damp, in a non-aggressive place, free of vibrations and with room temperatures between -10°C [14°F] and 50°C [122°F].

The place where the machine is stored must have a flat support surface to avoid deforming the machine or damage to the support feet.



### CAUTION

The appliance must be levelled, otherwise its operation could be affected.

## E TECHNICAL DATA



### WARNING

Refer to “*Warning and Safety Information*”.

### E.1 Materials and fluids used

The areas in contact with the food product are in steel; there are stainless steel supports and screws inside the above-mentioned areas.

### E.2 Main technical characteristics

Power supply voltage V	230V/50Hz <sup>1</sup>
	220–230V/60Hz <sup>1</sup>
	220–240V/50Hz <sup>1</sup>
	220–240V/50/60Hz <sup>1</sup>

1. Depending on the model

Temperature range in compartment	
Refrigerated models	-2/+10
Freezer models	-15/-22



### NOTE!

The energy labelling refers to original manufactured configuration.

## F INSTALLATION AND ASSEMBLY



### WARNING

Refer to “Warning and Safety Information”

#### F.1 Introduction

To ensure correct operation of the appliance and maintain safe conditions during use, carefully follow the instructions given below in this section.



#### CAUTION

Before moving the appliance make sure the load bearing capacity of the lifting equipment used is suitable for its weight.

#### F.2 Customer's responsibilities

The tasks and works required of the Customer are:

- provide an earthed power socket of suitable capacity for the input specified on the dataplate;
- provide a high sensitivity manual-reset differential thermal-magnetic switch;
- for information regarding the electrical connection, refer to *Electrical connection*;
- check the floor planarity on which the machine is placed.

#### F.3 Positioning

Install the appliance in a ventilated place, away from heat sources such as radiators or air conditioning systems, to allow correct cooling of the refrigerating unit components.

To avoid compromising proper appliance operation, never (even temporarily) cover the condenser or the front panel slits.

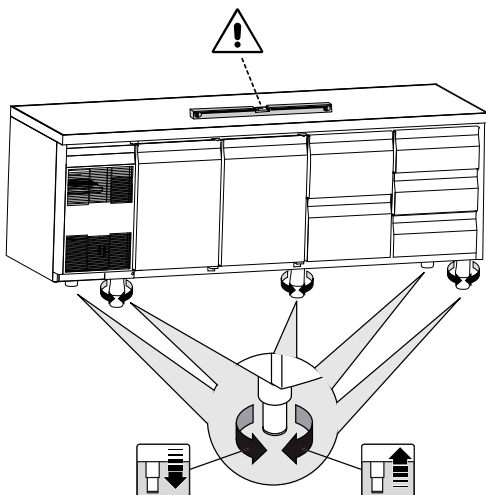
The machine must be taken to the place of installation and removed from the packing base only when being installed.

If the machine is installed in a place where there are corrosive substances (chlorine, etc.), it is advisable to go over all the stainless steel surfaces with a rag soaked in paraffin oil to create a protective film.

Arranging the machine:

- position the machine in the required place;
- make sure the appliance is level, also checking door and drawer closing;

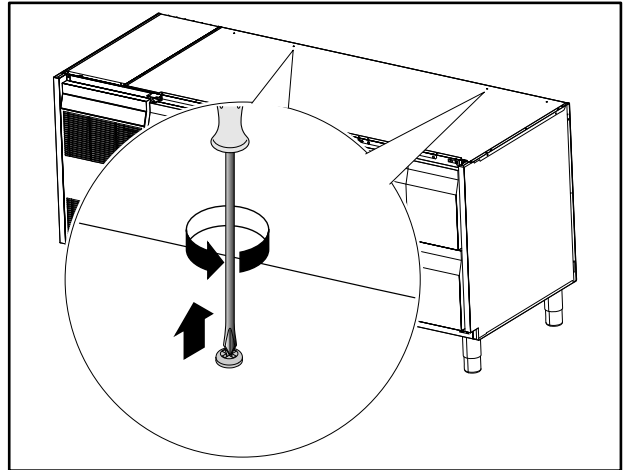
The appliance must be levelled, otherwise its operation could be affected.



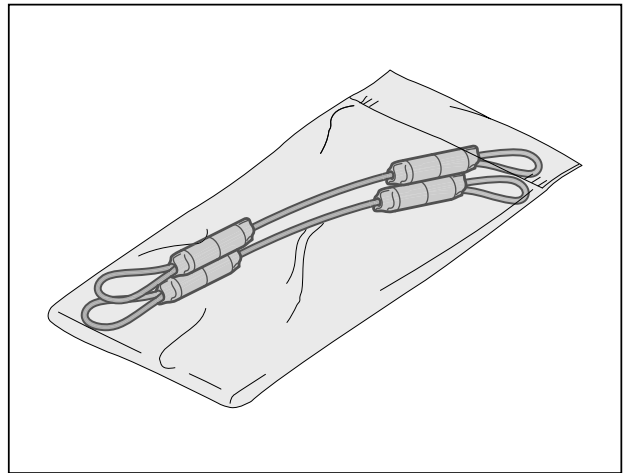
#### F.4 Fitting anti-tipping cables

To fit, proceed as follows:

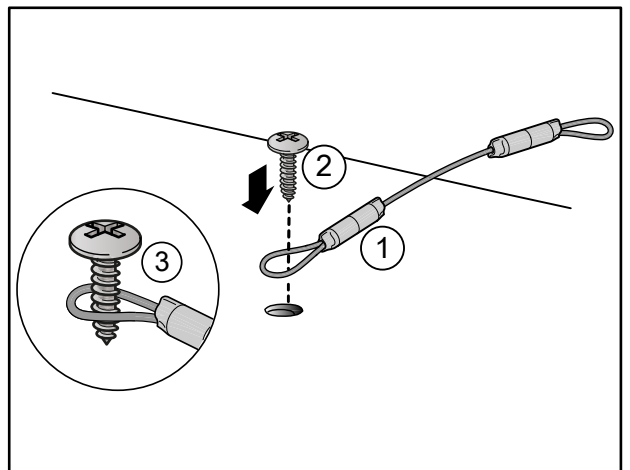
1. undo the two Phillips screws positioned on the top of the appliance as shown in the figure;



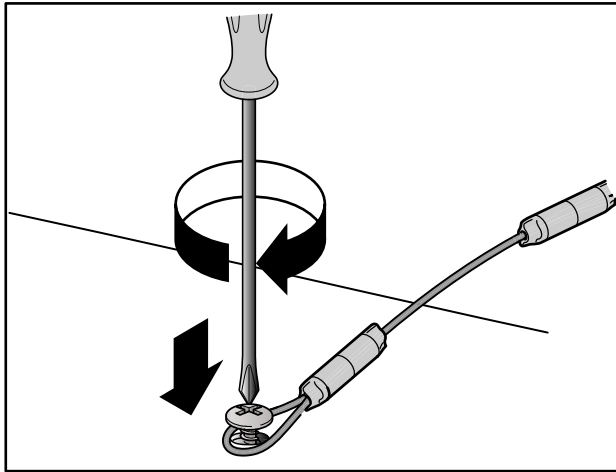
2. remove the cables from their packing;



3. join a slot of the cable to the screw;



4. retighten the screw complete with the cable on the roof of the appliance;



5. the cable must then be fixed to the wall with a plug, to permanently secure the appliance;
6. Repeat the same operation also with the other cable.

## G MACHINE DISPOSAL



### WARNING

Refer to “*Warning and Safety Information*”

#### G.1 Waste storage

At the end of the product's life-cycle, make sure it is not dispersed in the environment. The doors must be removed before scrapping the appliance.

SPECIAL waste materials can be stored temporarily while awaiting treatment for disposal and/or permanent storage. In any case, the current environmental protection laws in the user's country must be observed.

#### G.2 Procedure regarding appliance dismantling macro operations

Before disposing of the machine, make sure to carefully check its physical condition, and in particular any parts of the structure that can give or break during scrapping.

The machine's parts must be disposed of in a differentiated way, according to their different characteristics (e. g. metals, oils, greases, plastic, rubber, etc.).

Different regulations are in force in the various countries, therefore comply with the provisions of the laws and competent bodies in the country where scrapping takes place.

In general, the appliance must be taken to a specialised collection/ scrapping centre.

Dismantle the appliance, grouping the components according to their chemical characteristics, remembering that the compressor contains lubricant oil and refrigerant fluid which can be recycled, and that the refrigerator components are special waste assimilable with urban waste.



The symbol on the product indicates that this product should not be treated as domestic waste, but must be correctly disposed of in order to prevent any negative consequences for the environment and human health. For further information on the recycling of this product, contact the local dealer or agent, the Customer Care service or the local body responsible for waste disposal.




#### NOTE!

When scrapping the machine, any marking, this manual and other documents concerning the appliance must be destroyed.



CE

Electrolux Professional SPA  
Viale Treviso 15  
33170 Pordenone  
[www.electrolux-professional.com](http://www.electrolux-professional.com)

 Easy2plug

[www.easy2plug.com](http://www.easy2plug.com)